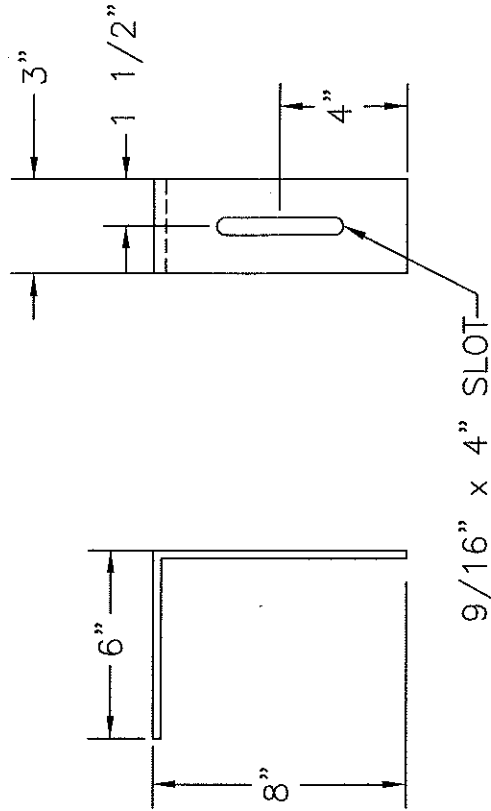
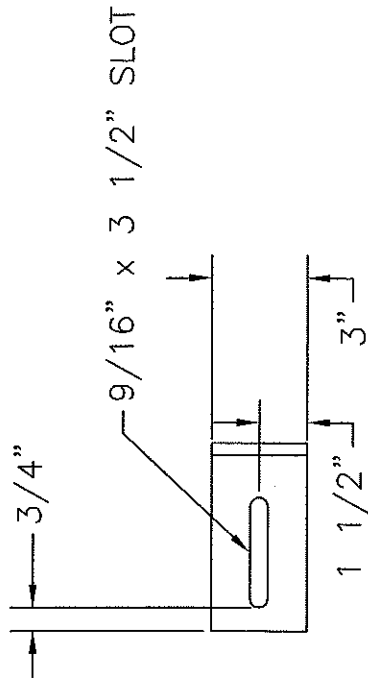


UPPER "L" BAFFLE SUPPORT  
BRACKET DETAIL  
3/8" THK. COLOR - AQUA



LOWER "L" BAFFLE SUPPORT  
BRACKET DETAIL  
3/8" THK. COLOR - AQUA

THIS PRINT IS THE PROPERTY OF MOLDED FIBER GLASS / WATER TREATMENT PRODUCTS ("MFG"), AND MAY NOT BE REPRODUCED, COPIED OR DISCLOSED TO ANY THIRD PARTY, IN WHOLE OR IN PART, WITHOUT PERMISSION OF MFG, UNLESS OTHERWISE STATED IN WRITING. THE DRAWINGS AND INFORMATION CONTAINED HEREON ARE NOT BINDING ON MFG AND MFG HEREBY DISCLAIMS ALL WARRANTIES, EXPRESSED OR IMPLIED, WITH RESPECT TO THE PRODUCTS AND SPECIFICATIONS WHICH ARE DEPICTED IN THE DRAWINGS, INCLUDING IMPLIED WARRANTIES MERCHANTABILITY PRODUCTS AND SPECIFICATIONS WHICH ARE DEPICTED IN THE DRAWINGS, INCLUDING IMPLIED WARRANTIES MERCHANTABILITY AND FITNESS FOR PURPOSE.

REVISION REV B	DATE: 8/11/00
DWG # BAFFLE SUPP.	DWN BY:
PART #	N/A

TITLE:  
MOLDED "L" SHAPE  
BAFFLE SUPPORT BRACKETS

MFG WATER TREATMENT  
PRODUCTS COMPANY  
55 FOURTH AVENUE  
UNION CITY, PA 16438  
PH#: 814.438.3959  
FAX: 814.438.8538

**MFG**