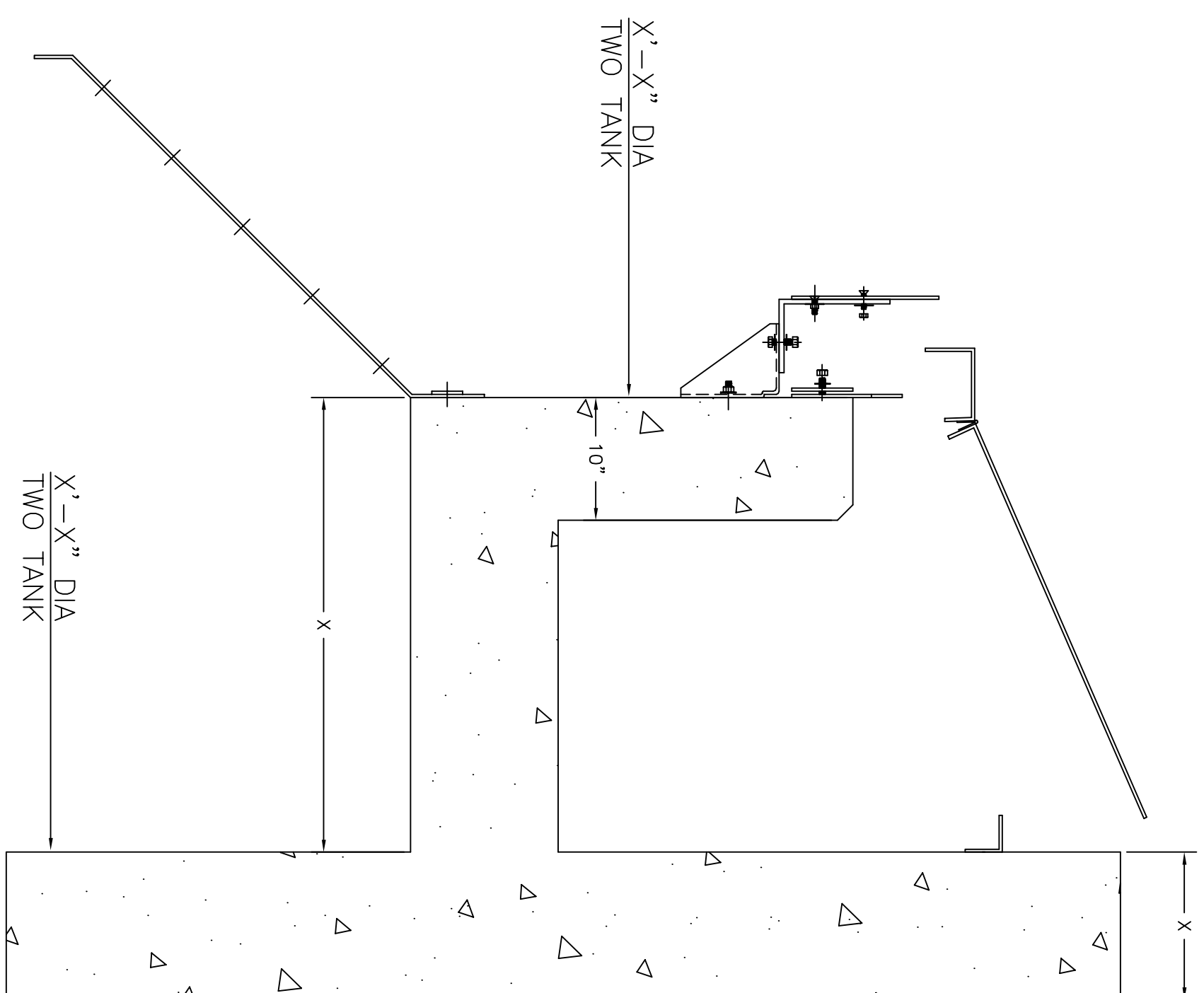
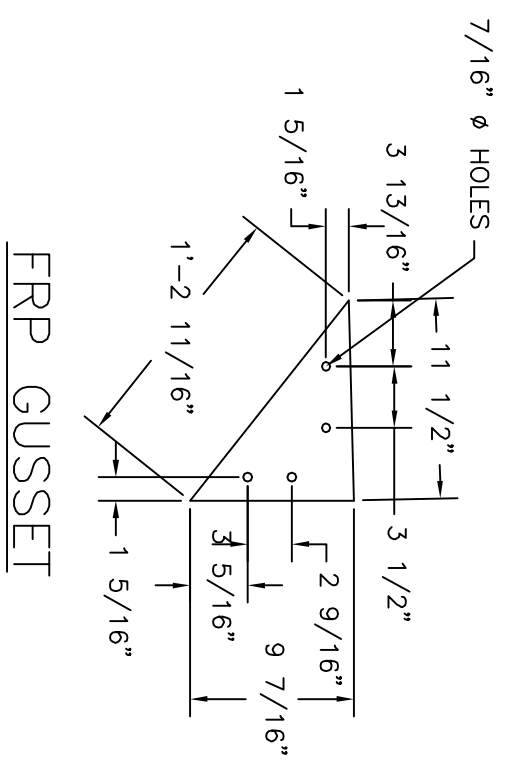


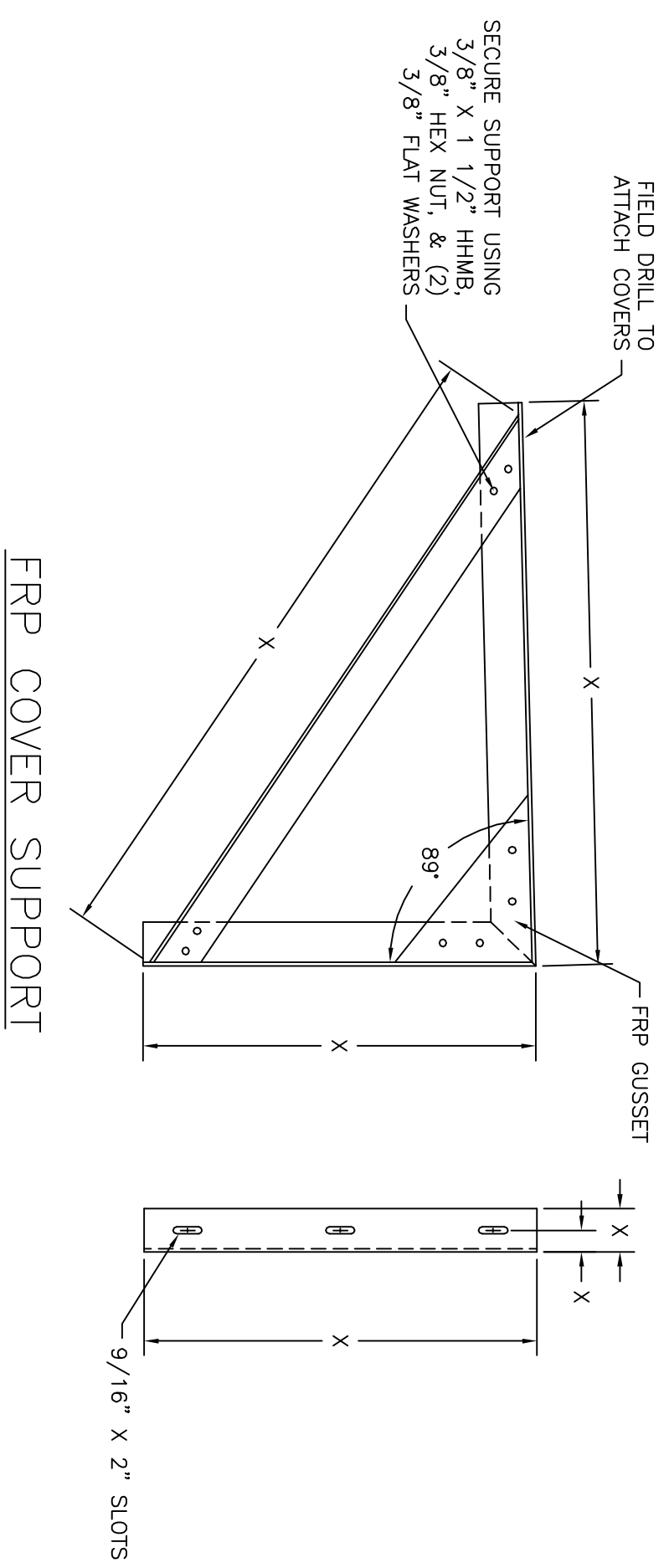
WALL MOUNTING DETAIL



WALL MOUNTING DETAIL



FRP GUSSET



FRP COVER SUPPORT

MFG WATER TREATMENT ("WATRE") has no responsibility for the contract design of the product or the contract specifications. WATRE has been selected to manufacture this product, the customer agrees to indemnify and hold WATRE harmless from and against all liability relating to this product, its performance, merchantability and fitness for purpose (including all liability for claims, suits, judgments and expenses), unless the product as manufactured by WATRE does not conform to the contract design and specifications set or WATRE'S shop drawings approved by the customer.

NO.	REVISIONS	DATE

MFG WATER TREATMENT PRODUCTS COMPANY
 55 4th AVENUE UNION CITY, PA 16438 PHONE: (814) 438.3959 FAX: (814) 438.8538
 SCALE TITLE: LAUNDRER COVER DETAILS REF.

DIVISION : MFG/WTP
DRAWN BY : M. JOHNSON
CHECKED BY :
APPROVED :
DATE : X

SHEET NO. X